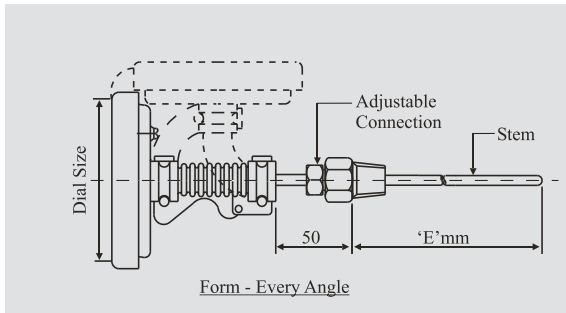
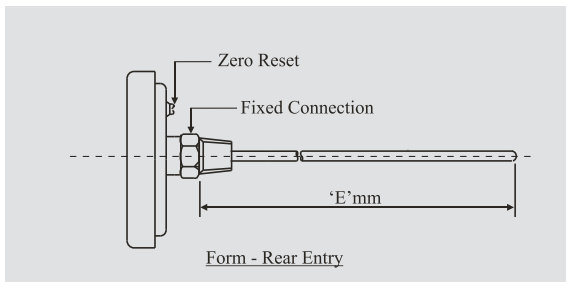


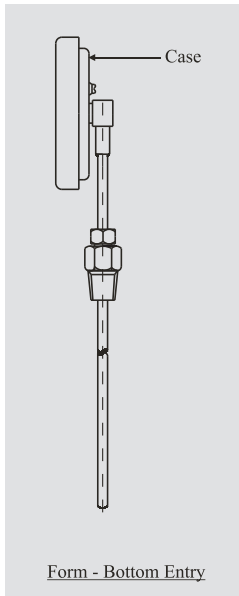
## TG100# Series Bi-metal Thermometers



Form - Every Angle



Form - Rear Entry



Form - Bottom Entry

### Features

- "All Stainless Steel" fully welded construction.
- External zero re-set as a standard.
- Toughened glass standard, shatter proof glass optional.
- Weather-proof casing to IP:66, IS: 13947.
- Hermetically sealed casing to ASME B40.3 as an option.
- Dry and Filled versions
- Designed to assemble with existing thermowells.

### Performance

- Accuracy  $\pm 1\%$  along measuring range, over temperature protection 1.3 x full span.
- Temperature measurement upto 600°C.
- Type approval for 'Vibration' test obtained.

Code	Gauge Type	Code	Option
B	Bi-metal	Define	Refer Table 3 for Options
Code	Stem Type	Code	Stem Length
D	Rigid	E	Define; eg E=150mm
Code	Stem Location	Code	Connection Type
R	Back	P	Plain Stem
B	Bottom	M	Male Nut
E	Every angle	U	Union Nut
Code	Mounting	AM	Adjustable Male
1	Local mounting	AU	Adjustable Union
Code	Dial Size (mm)	Code	Stem Connections
2.5	63	Define	Refer Table 2 for Standard Connections
4	100	Code	Range
6	150	Define	Refer Table 1 for Standard Ranges (°C, °F, Dual Scale)
Code	Case Material	Code	Capillary Length
S4	AISI 304	XX	None
S6/L	AISI 316/316L	Code	Capillary
Code	Stem Material	XX	None
S6/L	AISI 316/316L		
Code	Stem Diameter		
06	6mm		
08	8mm		
10	10mm		
OT	Other / Define		

### ORDERING EXAMPLE

TG100# Series B-D-R-1-4-S4-S6-06-xx-xx-0/100-3N(1/2"NPT)-AM-E=150-Op0

### GOA THERMOSTATIC INSTRUMENTS PVT. LTD.

Office: G/B, Hill Crown, College Road, Mapusa - Goa 403 507. Tel: +91 832 2252719, Fax: +91 832 2263294, E-mail: pyroadmin@pyro-electric.in

Visit us at [www.thermostatic.in](http://www.thermostatic.in)